

PROFILA 50 AND 30

90° ADHESIVE CORNER PROTECTORS

Colours available per product: please see the colour summary hinge



APPLICATIONS

These corners protectors blend in seamlessly with all interiors and protects corners from light impacts.

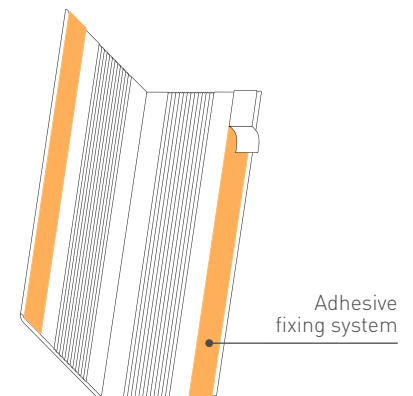
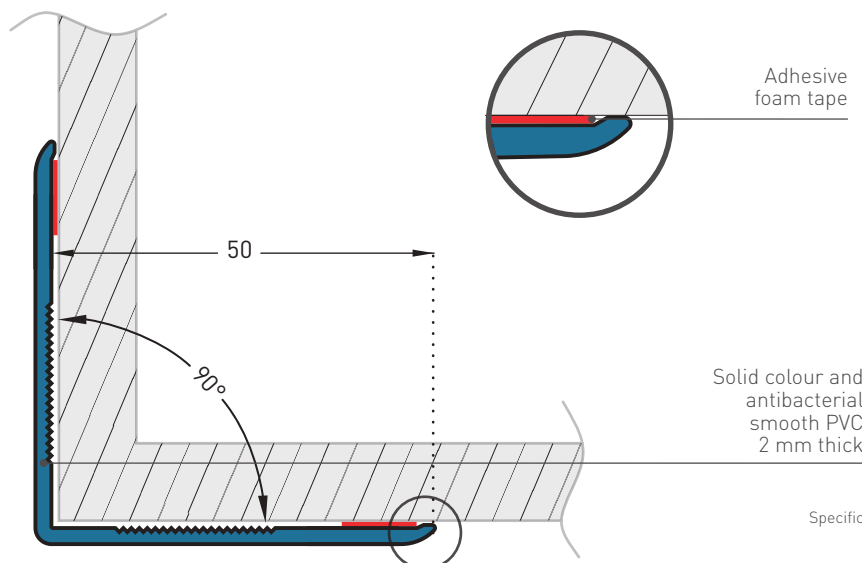
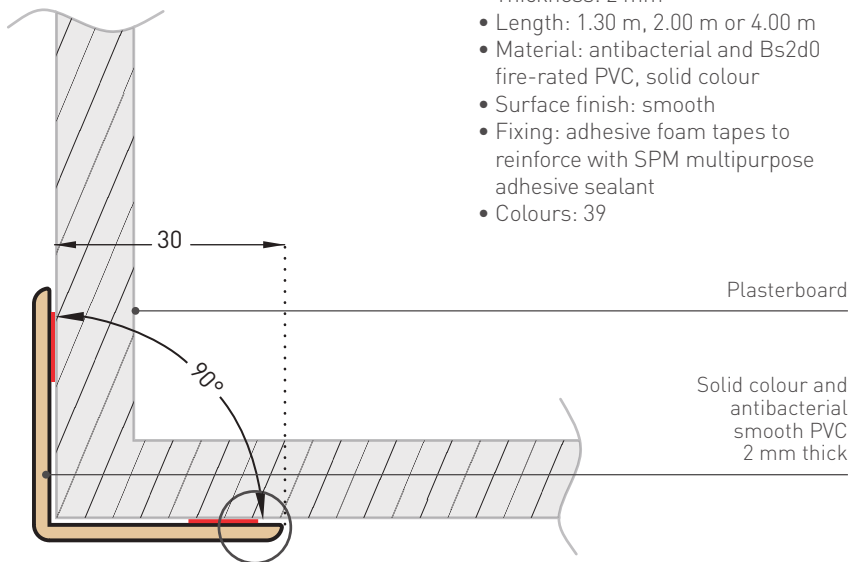
Profila 30 can also protect some door frames.

DESCRIPTION

- Model: Profila 50 or 30 adhesive corner protector
- Angle: 90°
- Wing width (internal measurement):
 - 50 mm Profila 50
 - 30 mm Profila 30
- Thickness: 2 mm
- Length: 1.30 m, 2.00 m or 4.00 m
- Material: antibacterial and Bs2d0 fire-rated PVC, solid colour
- Surface finish: smooth
- Fixing: adhesive foam tapes to reinforce with SPM multipurpose adhesive sealant
- Colours: 39

SPECIFICATION

- Description: 90° adhesive corner protector (Profila 50 or 30 as manufactured by SPM) from smooth and antibacterial PVC, 2 mm thick, achieving Bs2d0 reaction to fire classification with solid colour. Wings are 50 or 30 mm wide (internal measurement). A protective film is specified to minimise cleaning before acceptance. It is provided with 2 strips of double-sided adhesive foam tape for fixing.
- Environment: no heavy metals and no substance potentially subjected to any REACH restriction are used in its manufacture, nor PBT/BPA. The calcium-zinc thermal stabilisation process is used. The emission level of volatile substance in inside air has been tested according to ISO 16000-6 and is very low (A+) according to the French regulation (23 March 2011 nr 2011-321 Decree and 19 April 2011 Order). 100% of the product are recyclable.
- Colour: selected by architects from manufacturer's standard range.
- Installation method: adhesive. SPM multipurpose adhesive sealant is recommended for stronger fixing.



Specifications and section drawings on our website www.spm-international.com



BimObject in Revit and Archicad